



Rotron / Airscrew



# Rotron MAXIAX<sup>®</sup> 8.50-13.80 Large Vaneaxial Fans

## General Large Vaneaxial Information

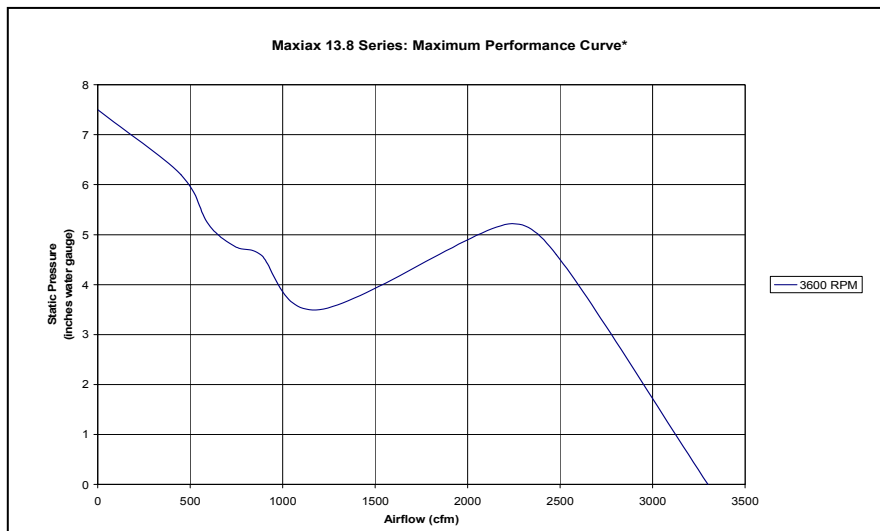
MAXIAX<sup>®</sup> fans provide relatively high flows against high impedance in a compact axial flow package. They operate at high rotational speeds, typically with 400 Hz motors. MAXIAX<sup>®</sup> fans are extremely efficient and highly customizable, allowing for precise airflow design.

MAXIAX<sup>®</sup> fans are typically utilized to cool airborne radar and other devices with high power transmitters. They are also employed as evaporator/condenser fans in environmental controls systems and to duct air to

various aircraft avionics bays, cockpit displays and cabin compartments. MAXIAX<sup>®</sup> fans are also used extensively in general aviation aircraft, military vehicles and shelters and shipboard applications.

They come in a variety of voltages and frequencies and are available with lead wires, terminal blocks and MS connectors. Most units are available with an optional internal Fan Performance Sensor (FPS) or an internal or external Low Speed Warning Device (LSWD).

## Rotron MAXIAX<sup>®</sup> 8.50 to 13.80



\*Individual Performance Curve Characteristics Available Upon Request

### General

- Physical envelope: 8.50 to 13.80" diameters, 6.50 to 10.75" lengths<sup>1</sup>.
- Weight: 17 to 74 lbs.
- Specially designed for avionics/equipment cooling and environmental control systems.
- Speeds as high as 3,600 RPM.
- Airflow as high as 3300 CFM.
- Functional Static Pressures: as high as 5.0 IWG.

### Materials and Finishes

- All aluminum components finished with a chemical conversion coating per MIL-C-5541, top coat of lusterless black enamel, color #37038, per Federal Standard 595 conforming to TT-E-489 Type B.
- Corrosion-resistant stainless steel shaft and hardware
- Impeller runs on two high-precision, double-shielded, stainless steel ball bearings (ABEC Class 5) for a long, maintenance-free life.
- Motors have stator winding insulation which is rated for continuous duty for either Class F or Class H.

<sup>1</sup> Note: See specific part-number drawing for complete product dimensions

## Options/Accessories

- Flanges
- Beads
- Check Valves
- Custom Designs Available
- Integral EMI filter
- LSWD (Low Speed Warning Device)
- FPS (Fan Performance Sensor)



06-74

North America  
T: +1 845-679-1361  
F: +1 845-679-1870

United Kingdom  
T: +44 (0) 1932 765822  
F: +44 (0) 1932 761098

Specifications subject to change without notice

Europe  
T: +49 8145 951767  
F: +49 8145 951768

Asia Pacific  
T: +65 6484 2388  
F: +65 6481 6588

[www.ametekaerodefense.com](http://www.ametekaerodefense.com)

Contact E-mail: [mlinquiry@ametek.com](mailto:mlinquiry@ametek.com)



### AC Line Powered Units <sup>1</sup>

- 3-phase and 1-phase permanent-split capacitor motor designs.
- Fixed speeds (performance) based on input frequency
- Meets or exceeds the requirements of MIL-B-23071 and other applicable U.S. military and commercial aerospace specifications <sup>2</sup>.
- Max free delivery airflow of 2389 at 60 Hz, 3300 CFM at 400 Hz.
- Ambient temperature range: -54 °C to 100 °C.

<sup>1</sup> Airflow, maximum ambient and acoustic levels will vary depending on design parameters

<sup>2</sup> Please call for further information concerning applicable U.S. military and commercial aerospace specifications

### DC Powered Units – E.C.D.C.® <sup>1</sup>

- Not available with these model fans.

### AC-AC Converters for AC Powered Models<sup>1</sup>

#### DELTA<sup>®</sup> Converter Driven Units

- DELTAC<sup>®</sup> converters allow high frequency (typically 400 Hz) fans to be driven by variable frequency (typically 360-800 Hz) power or low frequency 50/60 Hz power to obtain the higher frequency performance

<sup>1</sup> See Accessories: Power Conversion

### Unit Description Key

The unit description key is for reference only and should not be confused with a part number. While most units are custom configurations, not all variations of the key shown below are possible. Please contact the Application Engineering department for more information regarding possible custom configurations.

#### AC MODELS

MAX [475] [01] [A] [Q] [2] [C] [L] [N] [1894 JF]

MOTOR SERIES  
FAN PERFORMANCE SENSOR  
N- WITHOUT, S-WITH  
CONNECTOR  
L- LEADWIRES  
M- MILITARY, MS ATTACHED TO HOUSING  
N- MILITARY, MS ATTACHED TO LEADS  
T- TERMINAL BLOCK

MOUNTING CONFIGURATION  
A- FLANGED, INLET ONLY  
B- FLANGED, OUTLET ONLY  
C- FLANGED, BOTH ENDS  
D- FLANGED INLET, BEADED OUTLET  
E- FLANGED OUTLET, BEADED INLET  
F- BEADED, BOTH ENDS  
G- FLANGED CENTER, PLAIN ENDS  
H- FLANGED CENTER, BEADED ENDS  
I- PLAIN, BOTH ENDS  
J- FLANGED INLET ONLY WITH INLET PERFORMANCE RING  
K- FLANGED OUTLET ONLY WITH INLET PERFORMANCE RING  
L- FLANGED, BOTH ENDS WITH INLET PERFORMANCE RING  
M- FLANGED INLET, BEADED OUTLET WITH INLET PERFORMANCE RING  
N- FLANGED OUTLET, BEADED INLET WITH INLET PERFORMANCE RING  
O- BEADED, BOTH ENDS WITH INLET PERFORMANCE RING  
P- FLANGED CENTER, PLAIN ENDS WITH INLET PERFORMANCE RING  
Q- FLANGED CENTER, BEADED ENDS WITH INLET PERFORMANCE RING  
R- PLAIN, BOTH ENDS WITH INLET PERFORMANCE RING  
S- LEGS, WITH INLET PERFORMANCE RING  
T- SERVO RINGS, BOTH ENDS  
X- SPECIAL

VOLTAGE  
1- 115  
2- 200  
3- 115/230  
4- 416

NO. POLES	NO. PHASES	APPOX. SPEED- NO LOAD (REF.)			
		50 Hz	60 Hz	400 Hz	
A	2	3	2900	3500	-
B	4	3	1450	1750	-
E	6	1 OR 3	950	1150	-
F	8	1 OR 3	700	850	-
K	2	1	2900	3500	-
L	4	1	1450	1750	-
M	6	1 OR 3	-	-	7500
N	8	1 OR 3	-	-	5500
P	12	1 OR 3	-	-	3900
Q	4	1 OR 3	-	-	11000
R	2	1 OR 3	-	-	23000

NOTE: DUAL FREQUENCY OR DUAL POLE MOTORS DESIGNATED BY USING 2 DIGITS. EX: KM = (2 POLE 1Φ 50/60 Hz, 6 POLE 1Φ 400 Hz)

ELECTRICAL DATA  
A- AC LINE OPERATED

DESIGN SEQUENCE

SIZE GROUP  
APPROXIMATE HOUSING O.D.; NUMBER IS DIMENSIONED IN INCHES TO TWO DECIMAL PLACES. THE PERIOD IS NOT SHOWN

#### DC MODELS (SAME AS AC EXCEPT WHERE INDICATED)

MAX [420] [01] [D] [20] [G] [N] [N] [1894 JF]

VOLTAGE

ELECTRICAL DATA  
D- DC LINE OPERATED  
E- ECDC  
M- MCDC

EXAMPLE: MAX47501AQ2CL, N, 1894 JF



North America  
T: +1 845-679-1361  
F: +1 845-679-1870

United Kingdom  
T: +44 (0) 1932 765822  
F: +44 (0) 1932 761098

Specifications subject to change without notice

Europe  
T: +49 8145 951767  
F: +49 8145 951768

Asia Pacific  
T: +65 6484 2388  
F: +65 6481 6588

Contact E-mail: [mlinquiry@ametek.com](mailto:mlinquiry@ametek.com)

[www.ametekaerodefense.com](http://www.ametekaerodefense.com)



Rotron / Airscrew



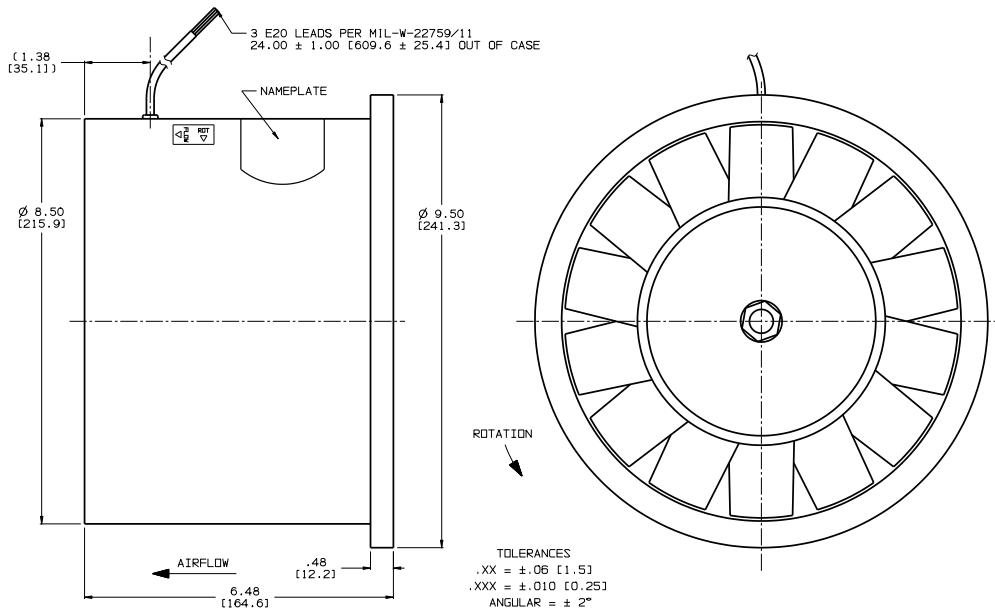
## Ordering Information

When ordering, please specify the specific Rotron part number listed on the model table below. Further ordering information, based on the configuration and motor series, may be obtained by contacting customer service. Please refer to the Unit Description Key explanation above.

## Standard Product Offering of AC Line Powered Models

Part #	Product Description	Flow (CFM)	Max Pressure (IWG)	Nom. RPM	Nom. Watts	Line Amps (A)	Max Amb (C)	Weight	Volts	Phase	Hz	Capacitor	Airflow Source Data	Features
034497000	MAX10000 2587XF	1317	3.0	3300	755	2.7	90	40.0	208	3	60	N/A	A300-11	CONNECTOR
035792000	MAX138000 255J7	2380	6.6	3450	1206	4.0	100	73.3	200	3	60	N/A	A362-1A	LEADS, THERMAL PROTECTOR
035904000	MAX138001 2754JF	3308	7.4	3600	2811	13.5	TBD	82.0	208	3	400	N/A	A564-23A	LEADS
033785000	MAX85000 1947ZF	1270	1.7	3300	564	5.0	66	17.0	115	1	60	20.0/330	A421-2	LEADS
041457000	MAX92500 3866J7	2419	12.6	7700	2502	9.5	71	20.0	200	3	400	NA	A771-17	CONNECTOR

# MAXIAX 85000 - AC

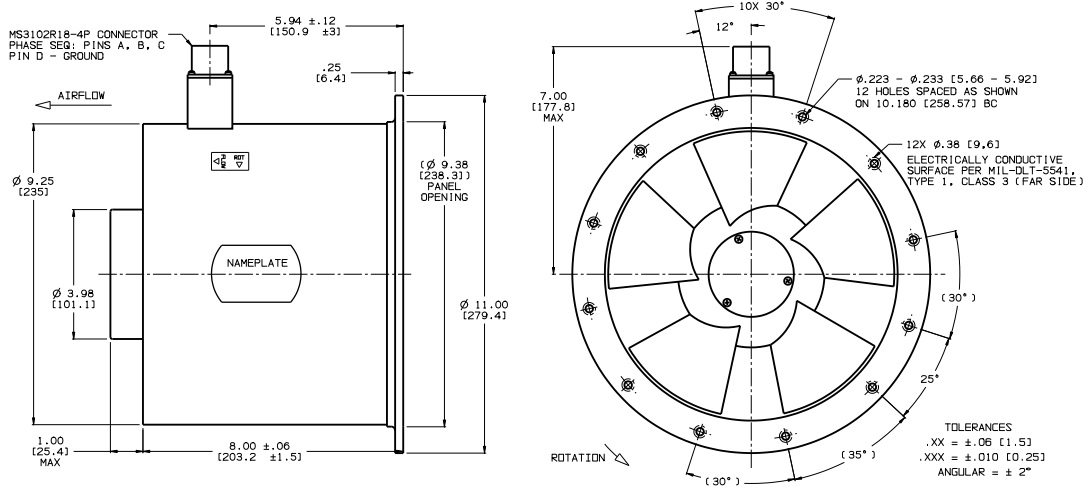




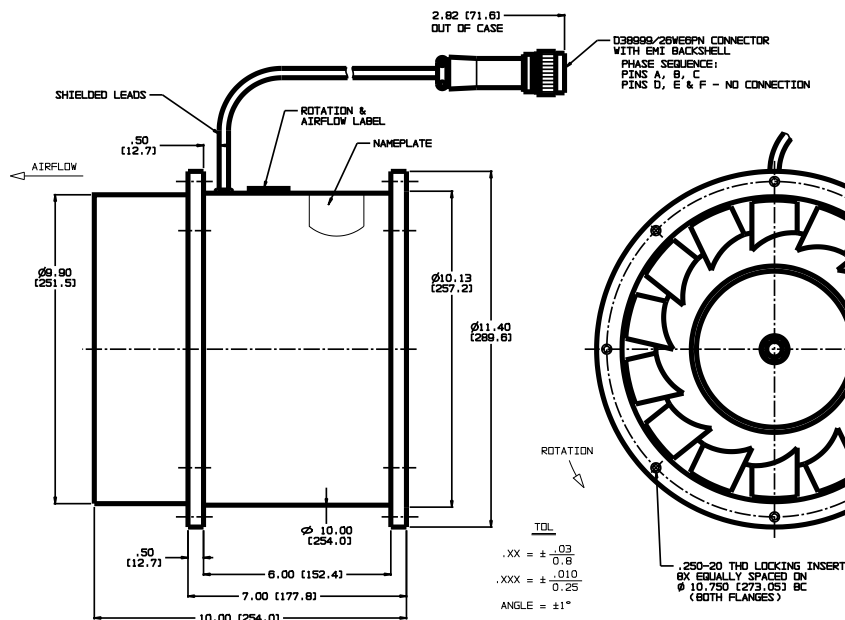
Rotron / Airscrew



# MAXIAX 92500 – AC



# MAXIAX 10000 – AC

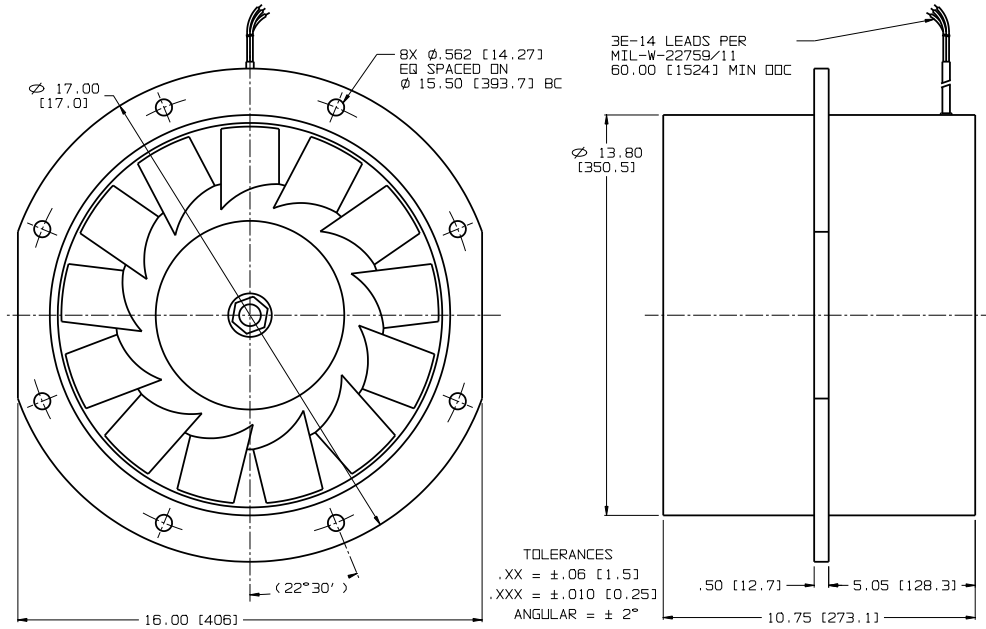




Rotron / Aircrew



# MAXIAX 138001 – AC

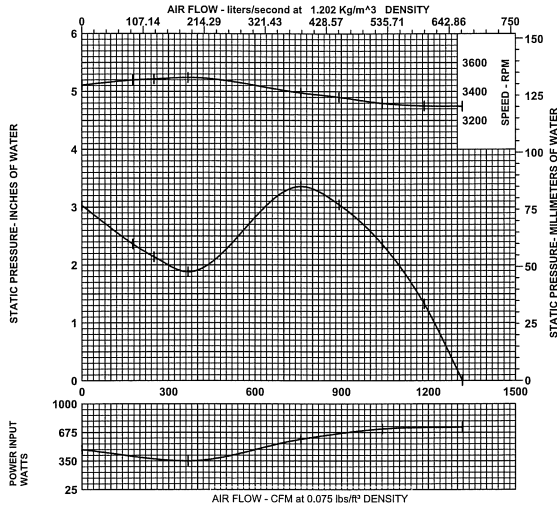




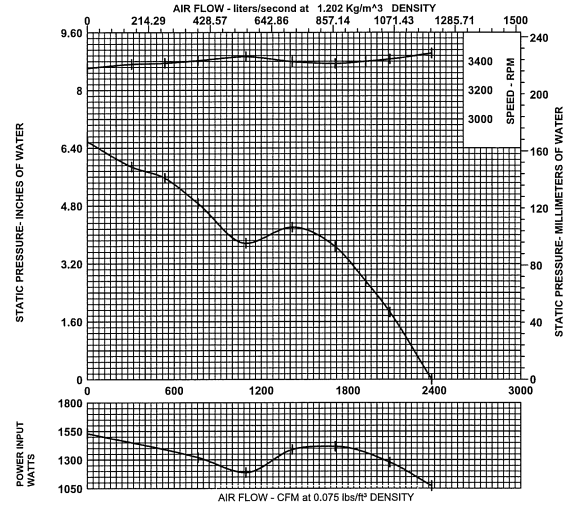
Rotron / Airscrew



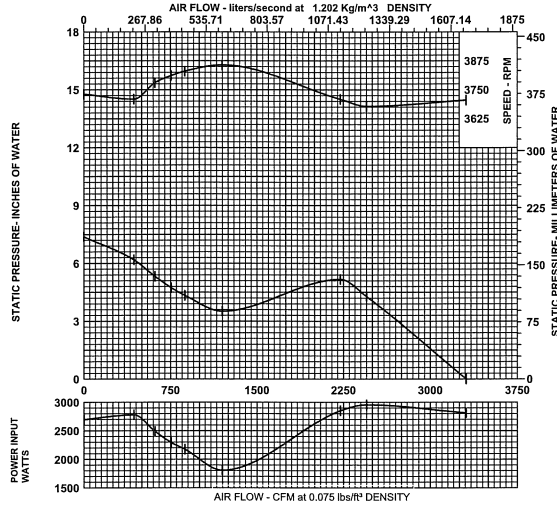
P/N 034497000 MAX10000 2587XF A300-11



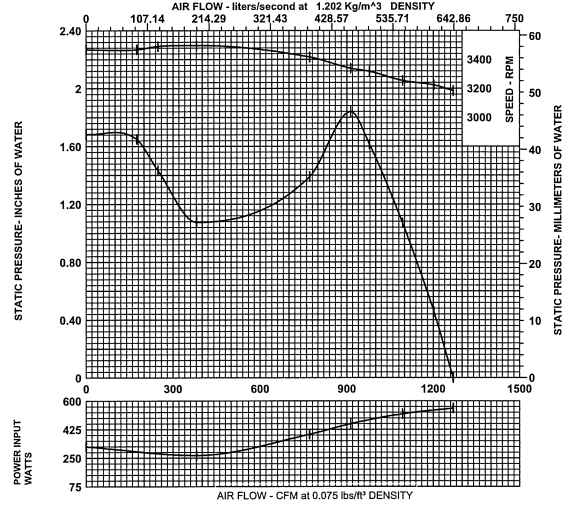
P/N 035792000 MAX138000 255J7 A362-1A



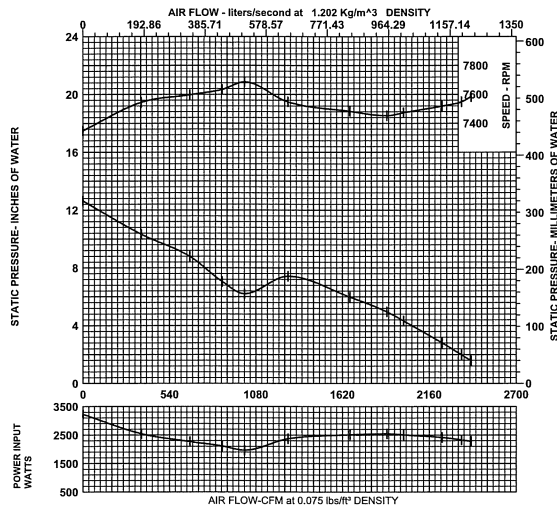
P/N 035904000 MAX138001 2754JF A564-23A



P/N 033785000 MAX85000 1947ZF A421-2



P/N 041457000 MAX92500 3866J7 A771-17



North America  
T: +1 845-679-1361  
F: +1 845-679-1870

United Kingdom  
T: +44 (0) 1932 765822  
F: +44 (0) 1932 761098

Specifications subject to change without notice

Europe  
T: +49 8145 951767  
F: +49 8145 951768

Asia Pacific  
T: +65 6484 2388  
F: +65 6481 6588

Contact E-mail: [mlinquiry@ametek.com](mailto:mlinquiry@ametek.com)

[www.ametekaerodefense.com](http://www.ametekaerodefense.com)