



MIL-901XP Hazardous Location Fan

UL Recognized for Hazardous Duty. UL File #E210881

Certified to NEC Class 1, Division 2, Groups A, B, C and D (non-igniting), ANSI 12.12.01-2013 (was UL STD 1604)



Applications

- Cabinet cooling
- Heat exchanger air circulation
- Air exchange

Construction

- Thermally protected
- Motor insulation class F
- Cast aluminum venturi
- Advanced composite propeller material
- Permanently lubricated, stainless steel ball bearings

The Ametek Rotron Mil-901XP Fan is designed and qualified for use in hazardous industrial locations. A hazardous location is defined as an area where concentrations of flammable gasses, vapors, or dust are present in sufficient quantities to warrant the use of appropriate equipment. The Mil-901XP was specifically designed and tested to ensure no potential sparking, arcing or source of ignition.

Features

- Operating temp code: T4A
- No externally exposed wires
- 3/8" NPT fitting
- Available with or without Fan Performance Sensor (FPS) – tachometer output
- Ambient temperature range: -54C to +70C
- Optional finger guard: P/N 508370000
- Weight 2.4 lbs
- 6" diameter
- MTBF: 200,000 hrs at 50C
- Noise: 55 dBA SPL from 3 ft
- Indoor / Outdoor installation

Nominal Data

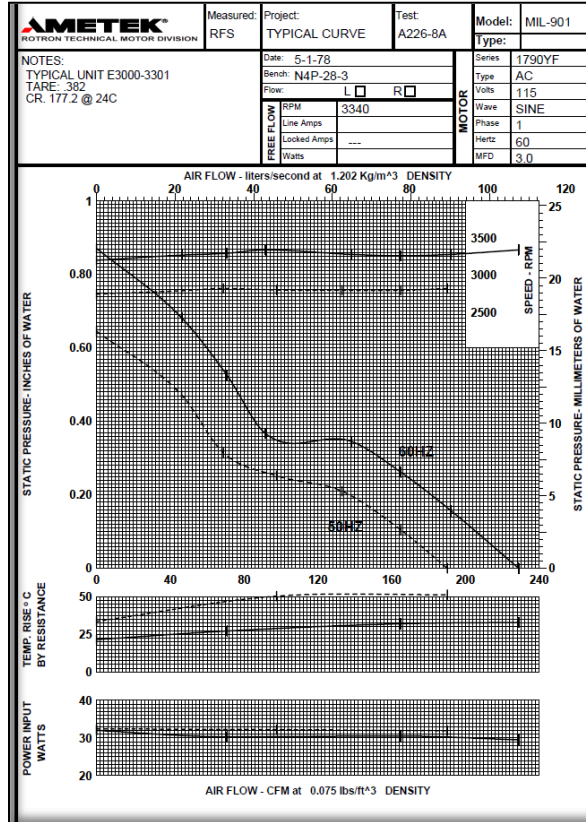
Motor Series	Voltage (VAC)	Frequency (Hz)	Rotational Speed (RPM)	Current (Amps)	Locked-Rotor Current (Amps)	Free Delivery Airflow (CFM)
1790Y9	115 VAC, 1-phase	60	3340	0.29	0.49	230

Notes:

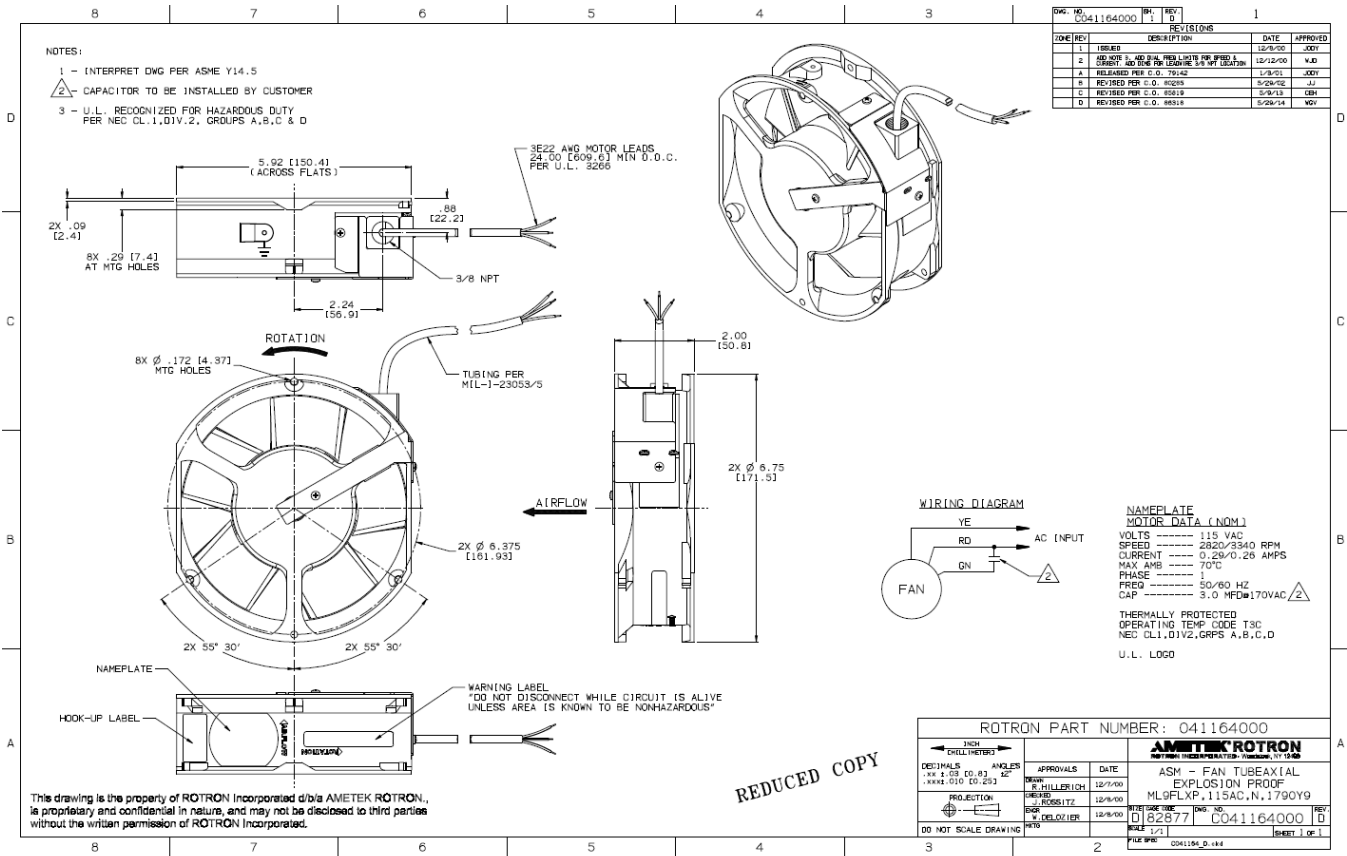
1. Fan requires a 3.0 µf motor run capacitor, not included with unit.
2. P/N 041164000 – without Fan Performance Sensor (FPS)
3. P/N 041165000 – with Fan Performance Sensor (FPS)
4. Drawings and Spec Sheets available at: [www. http://rotron.com/product-search.aspx](http://rotron.com/product-search.aspx)



Rotron / Airscrew



Performance Curve



Outline Drawing; Part Number 041164000 (without FPS)