



Rotron 1/2 PROPIMAX[®] 2 Tubeaxial Fans

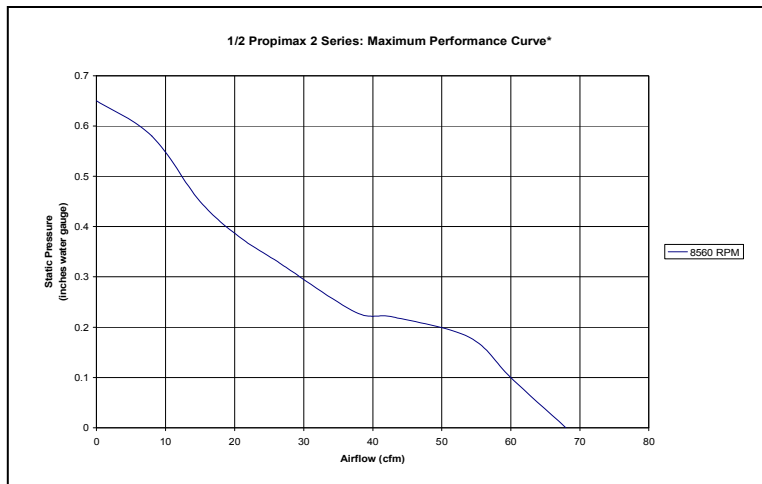
General Tubeaxial Information

Tubeaxial Fans are integrated axial flow air moving devices in which the motor rotor is cast inside the impeller to achieve the smallest possible axial dimension. Higher aerodynamic performance and efficiencies can be achieved with these true airfoil blade designs. These fans typically operate near free delivery, but can achieve static pressures above those of Propeller Fans due to high speed operations.

environmental conditions in air, ground, and shipboard applications. They come in a variety of AC voltages and frequencies, as well as DC voltages. Hook up options include: lead wires, terminal blocks, or MS connectors. All Tubeaxial Fans are finely balanced to meet the requirements of MIL-B-23071. All units are available with an optional internal Fan Performance Sensor (FPS) and an external Low Speed Warning Device (LSWD). Some units are available with an internal Low Speed Warning Device (LSWD).

The Tubeaxial Fan is suitable for operation in severe

Rotron 1/2 PROPIMAX[®] 2



*Individual Performance Curve Characteristics Available Upon Request

General

- Physical envelope: 3.78" Dia. x 1.33" L¹
- Weight: approximately 0.41 lbs.
- Die cast aluminum Venturi and Rotorprop
- Specially designed for cooling electronics in aircraft, ground-based and shipboard applications
- Excels in cooling electronic counter-measures, communications equipment, power supplies, avionics and radar
- Custom mounting configurations, such as flanges or servo rings and synclamps, are available²

¹ See specific part-number drawing for complete product dimensions

² Please contact the Application Engineering Department for further information

Materials and Finishes

- All aluminum components are finished with a chemical conversion coating per MIL-C-5541, top coat of lusterless black enamel, color #37038, per Federal Standard 595 conforming TT-E-489 Type B
- Corrosion-resistant stainless steel shaft and hardware.
- Impeller runs on two high-precision, double-shielded, stainless steel ball bearings (ABEC Class 5) with an integral lubricant reservoir for a long, maintenance-free life
- Motors have stator winding insulation which is rated for continuous duty for Class F

Options/Accessories

- Synclamp Mounting
- Finger Guards
- Custom Paints Available
- LSWD (Low Speed Warning Device)
- FPS (Fan Performance Sensor)



North America
T: +1 845-679-1361
F: +1 845-679-1870

United Kingdom
T: +44 (0) 1932 765822
F: +44 (0) 1932 761098

Specifications subject to change without notice

Europe
T: +49 8145 951767
F: +49 8145 951768

Asia Pacific
T: +65 6484 2388
F: +65 6481 6588

www.ametekaerodefense.com

Contact E-mail: mlinquiry@ametek.com



AC Line Powered Units ¹

- 3-phase and 1-phase permanent-split capacitor motor designs.
- Fixed speeds (performance) based on input frequency.
- Meets or exceeds the requirements of MIL-B-23071 and other applicable U.S. military and commercial aerospace specifications ².
- Max free delivery airflow of 68 CFM at 400 Hz.
- Ambient temperature range: -54 °C to 70 °C.

¹ Airflow, maximum ambient and acoustic levels will vary depending on design parameters

² Please call for further information concerning applicable U.S. military and commercial aerospace specifications

DC Line Units – E.C.D.C.[®] or M.C.D.C.[®] ¹

- Brushless permanent magnet design (Electronically Commutated DC).
- Speed (performance) fixed by input voltage.
- Meets or exceeds the requirements of MIL-B-28873 and other applicable U.S. military and commercial aerospace specifications ².

Optional DC-AC Inverters and AC-AC Converters for AC Powered Models ¹

BATAC[®] Inverter Driven Units

- AC square wave fans driven from a DC power source through a BATAC[®] Inverter.
- Low cost alternative when multiple fans are used in a single application or area.
- Allows for greater than 100 VDC input voltage.

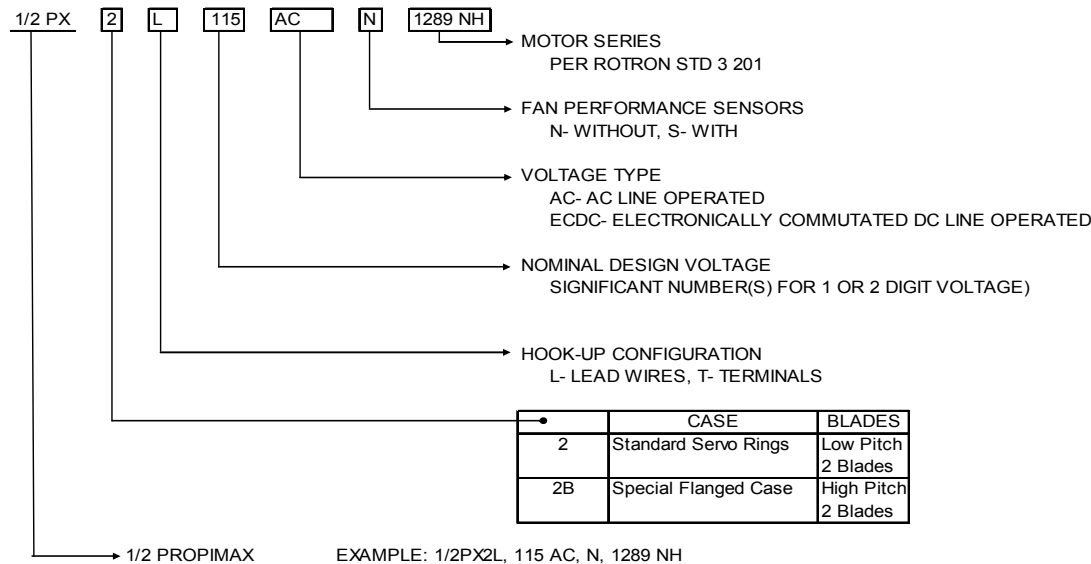
¹ See Accessories: Power Conversion

DELTAC[®] Converter Driven Units

- DELTAC[®] converters allow high frequency (typically 400 Hz) fans to be driven by variable frequency (typically 360-800 Hz) power or low frequency 50/60 Hz power to obtain the higher frequency performance.

Unit Description Key

The unit description key is for reference only and should not be confused with a part number. While most units are custom configurations, not all variations of the key shown below are possible. Please contact the Application Engineering department for more information regarding possible custom configurations.



* "X" IN ANY POSITION DENOTES SPECIAL FOR THAT FEATURE

Ordering Information

When ordering, please specify the specific Rotron part number listed on the following model table. Further ordering information, based on the configuration and motor series, may be obtained by contacting customer service. Please refer to the Unit Description Key explanation above.



North America
T: +1 845-679-1361
F: +1 845-679-1870

United Kingdom
T: +44 (0) 1932 765822
F: +44 (0) 1932 761098

Specifications subject to change without notice

Europe
T: +49 8145 951767
F: +49 8145 951768

Asia Pacific
T: +65 6484 2388
F: +65 6481 6588

www.ametekaerodefense.com

Contact E-mail: mlinqury@ametek.com



Rotron / Airscrew

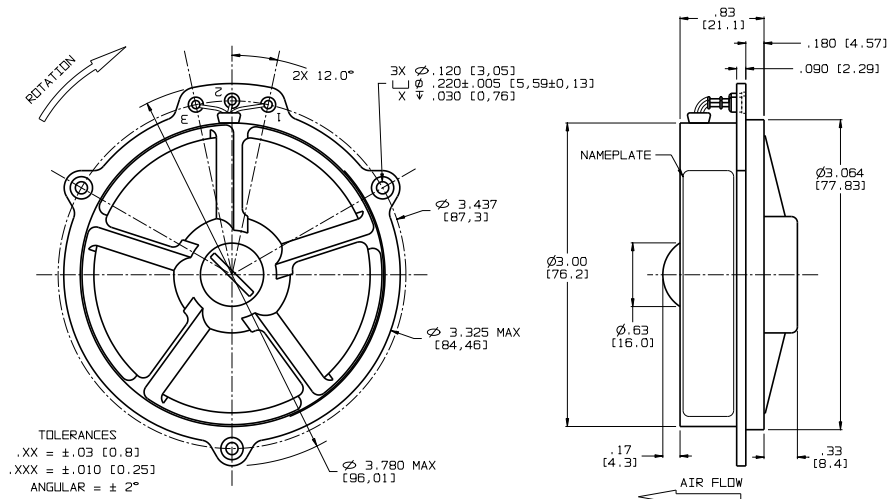


Standard Product Offering of AC Line Powered Models

Part #	Prod. Desc.	Flow (CFM)	Max Pressure (IWG)	Nom. RPM	Nom. Watts	Line Amps (A)	Max Amb (C)	Weight	Volts	Phase	Hz	Capacitor	Airflow Source Data	Features
035584000	1/2 Propimax 2BT 3336XH	68	0.7	8560	25	0.2	70	0.3	115	1	400	0.22/220	A494-4	TERMINALS
035554000	1/2 Propimax 2BT 3305XH	65	0.6	8300	24	0.2	70	0.3	115	3	400	N/A	A461-19	TERMINALS

1/2 PROPIMAX 2 - AC

1/2PX2BT

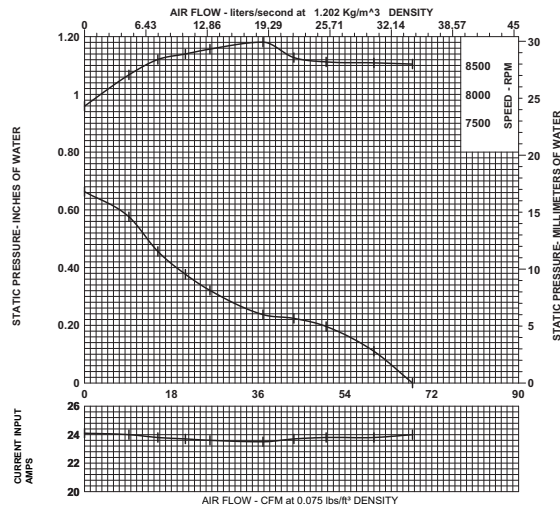




Rotron / Aircrew



P/N 035584000 1/2 Propimax 2BT 3336XH A494-4



P/N 035554000 1/2 Propimax 2BT 3305XH A461-19

