



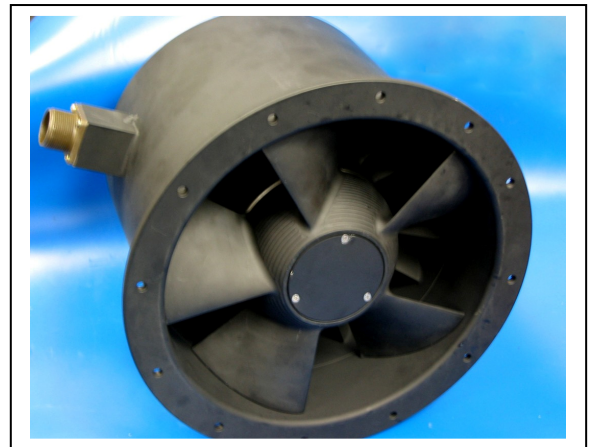
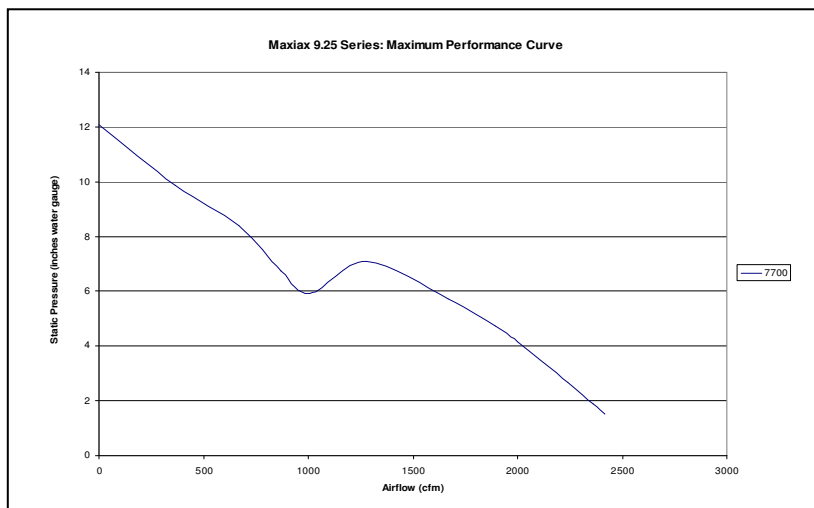
Rotron MAXIAX[®] 9.25 Large Vaneaxial Fans

General Large Vaneaxial Information

MAXIAX[®] fans provide relatively high flows against high impedance in a compact axial flow package. They operate at high rotational speeds, typically with 400 Hz AC motors. MAXIAX[®] fans are extremely efficient and highly customizable, allowing for precise airflow design.

MAXIAX[®] fans are often utilized to cool airborne radar and other devices with high power transmitters. They are also employed as evaporator/condenser fans in environmental controls systems and to duct air to various aircraft avionics bays, cockpit displays and cabin compartments. MAXIAX[®] fans are also used extensively in general aviation aircraft, military vehicles, shelters, and shipboard applications.

Rotron MAXIAX[®] 9.25



*Individual Performance Curve Characteristics Available Upon Request

General

- Physical envelope: 9.25" diameter, 8.00" length ¹
- Weight: 20.0 lbs.
- Machined aluminum venturi housing and propeller
- Specially designed for avionics/equipment cooling and environmental control systems ²
- Speed max 7,700 RPM
- Airflow max 2,420 CFM
- Functional Static Pressures: 12.6 IWG
- Thermally Protected

¹ Note: See specific part-number drawing for complete product dimensions

² Please contact the Application Engineering Department for further information

Materials and Finishes

- All aluminum components finished with a chemical conversion coating per MIL-C-5541, top coat of lusterless black enamel, color #37038, per Federal Standard 595 conforming to TT-E-489 Type B
- Corrosion-resistant stainless steel shaft and hardware
- Impeller runs on two high-precision, double-shielded, stainless steel ball bearings (ABEC Class 5) for a long, maintenance-free life
- Motors use Class H insulation for continuous high temp operational capability

Options/Accessories

- Flanges
- Beads
- Check Valves
- Custom Designs Available
- LSWD (Low Speed Warning Device)
- FPS (Fan Performance Sensor – internal or external)



Rotron / Airscrew



AC Line Powered Units

DC Powered Units – E.C.D.C.®

- 3-phase and 1-phase permanent-split capacitor motor designs.
- Fixed speeds (performance) based on input frequency
- Meets or exceeds the requirements of MIL-B-23071 and other applicable U.S. military and commercial aerospace specifications ².
- Max free delivery airflow of 2,600 CFM at 400 Hz¹
- Ambient temperature range: -54 °C to 71 °C¹

- Not available with this model at this time.

¹ Airflow, maximum ambient and acoustic levels will vary depending on design parameters

² Please call for further information concerning applicable U.S. military and commercial aerospace specifications

AC-AC Converters for AC Powered Models¹

DELTA[®] Converter Driven Units

- DELTAC[®] converters allow high frequency (typically 400 Hz) fans to be driven by low frequency 50/60 Hz power to obtain the higher frequency performance

¹ See Accessories: Power Conversion

Unit Description Key

The unit description key is for reference only and should not be confused with a part number. While most units are custom configurations, not all variations of the key shown below are possible. Please contact the Application Engineering department for more information regarding possible custom configurations.

AC MODELS

MAX. 925 01 A Q 2 C L N 1894 JF

MOTOR SERIES
FAN PERFORMANCE SENSOR
N- WITHOUT, S-WITH
CONNECTOR
L- LEADWIRES
M- MILITARY, MS ATTACHED TO HOUSING
N- MILITARY, MS ATTACHED TO LEADS
T- TERMINAL BLOCK

VOLTAGE
1- 115
2- 200
3- 115/230
4- 416

MOUNTING CONFIGURATION
A- FLANGED, INLET ONLY
B- FLANGED, OUTLET ONLY
C- FLANGED, BOTH ENDS
D- FLANGED INLET, BEADED OUTLET
E- FLANGED OUTLET, BEADED INLET
F- BEADED, BOTH ENDS
G- FLANGED CENTER, PLAIN ENDS
H- FLANGED CENTER, BEADED ENDS
I- PLAIN, BOTH ENDS
J- FLANGED INLET ONLY WITH INLET PERFORMANCE RING
K- FLANGED OUTLET ONLY WITH INLET PERFORMANCE RING
L- FLANGED, BOTH ENDS WITH INLET PERFORMANCE RING
M- FLANGED INLET, BEADED OUTLET WITH INLET PERFORMANCE RING
N- FLANGED OUTLET, BEADED INLET WITH INLET PERFORMANCE RING
O- BEADED, BOTH ENDS WITH INLET PERFORMANCE RING
P- FLANGED CENTER, PLAIN ENDS WITH INLET PERFORMANCE RING
Q- FLANGED CENTER, BEADED ENDS WITH INLET PERFORMANCE RING
R- PLAIN, BOTH ENDS WITH INLET PERFORMANCE RING
S- LEGS, WITH INLET PERFORMANCE RING
T- SERVO RINGS, BOTH ENDS
X- SPECIAL

ELECTRICAL DATA
A- AC LINE OPERATED

DESIGN SEQUENCE

SIZE GROUP
APPROXIMATE HOUSING O.D.;
NUMBER IS DIMENSIONED IN
INCHES TO TWO DECIMAL
PLACES. THE PERIOD IS NOT
SHOWN

NO. POLES	NO. PHASES	APPOX. SPEED- NO LOAD (REF.)		
		50 Hz	60 Hz	400 Hz
A	2	3	2900	3500
B	4	3	1450	1750
E	6	1 OR 3	950	1150
F	8	1 OR 3	700	850
K	2	1	2900	3500
L	4	1	1450	1750
M	6	1 OR 3	-	7500
N	8	1 OR 3	-	5500
P	12	1 OR 3	-	3900
Q	4	1 OR 3	-	11000
R	2	1 OR 3	-	23000

NOTE: DUAL FREQUENCY OR DUAL POLE MOTORS DESIGNATED BY USING 2 DIGITS. EX: KM = (2 POLE 1Φ 50/60 Hz, 6 POLE 1Φ 400 Hz)

EXAMPLE: MAX92500AQ2AM, N, 3866J7



North America
T: +1 845-679-1361
F: +1 845-679-1870

United Kingdom
T: +44 (0) 1932 765822
F: +44 (0) 1932 761098

Specifications subject to change without notice

Europe
T: +49 8145 951767
F: +49 8145 951768

Asia Pacific
T: +65 6484 2388
F: +65 6481 6588

Contact E-mail: mlinquiry@ametek.com

<http://www.rottron.com>



Rotron / Airscrew



Ordering Information

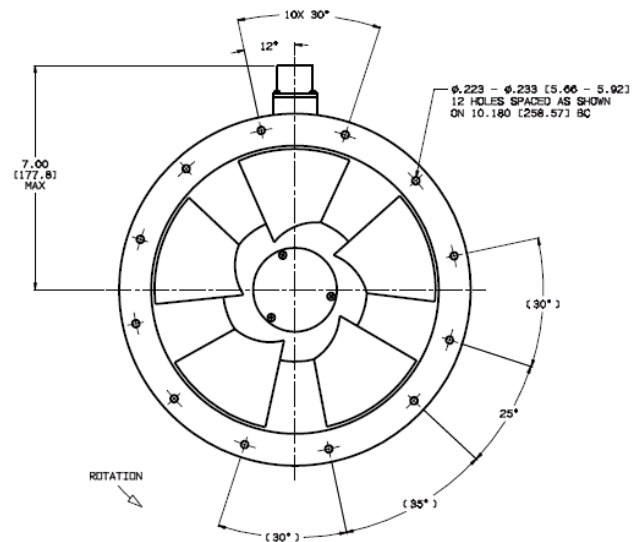
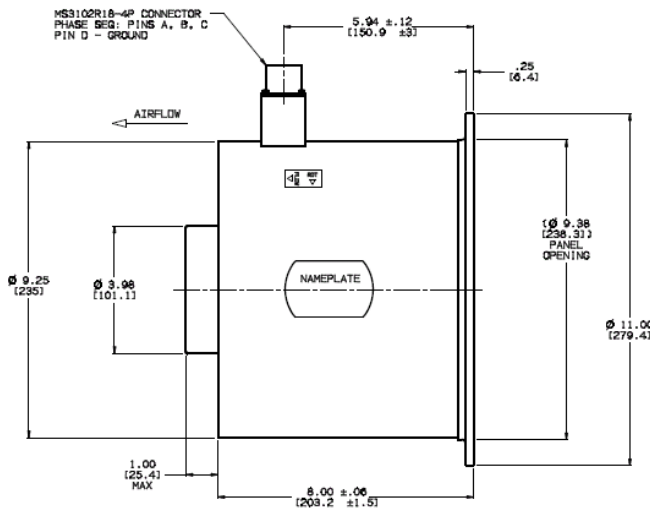
When ordering, please specify the specific Rotron part number listed on the model table below. Further ordering information, based on the configuration and motor series, may be obtained by contacting customer service. Please refer to the Unit Description Key explanation above.

Standard Product Offering of AC Line Powered Models

Part #	Product Description	Flow (CFM)	Max Pressure (IWG)	Nom. RPM	Nom. Watts	Line Amps (A)	Max Amb (°C)	Weight (lbs)	Volts	Phase	Hz	Capacitor	Airflow Source Data	Features
041457000	MAX92500 3866J7	2600	12.6	7700	1900	9.5	71	20	200	3	400	N/A	A771-17	Inlet Flange Only
041575000	MAX92500 3866J7	2600	12.6	7700	1900	9.5	71	20	200	3	400	N/A	A771-17	Inlet Flange and Outlet Flange

MAXIAX 925*

MAX92500AM2AM - 041457000



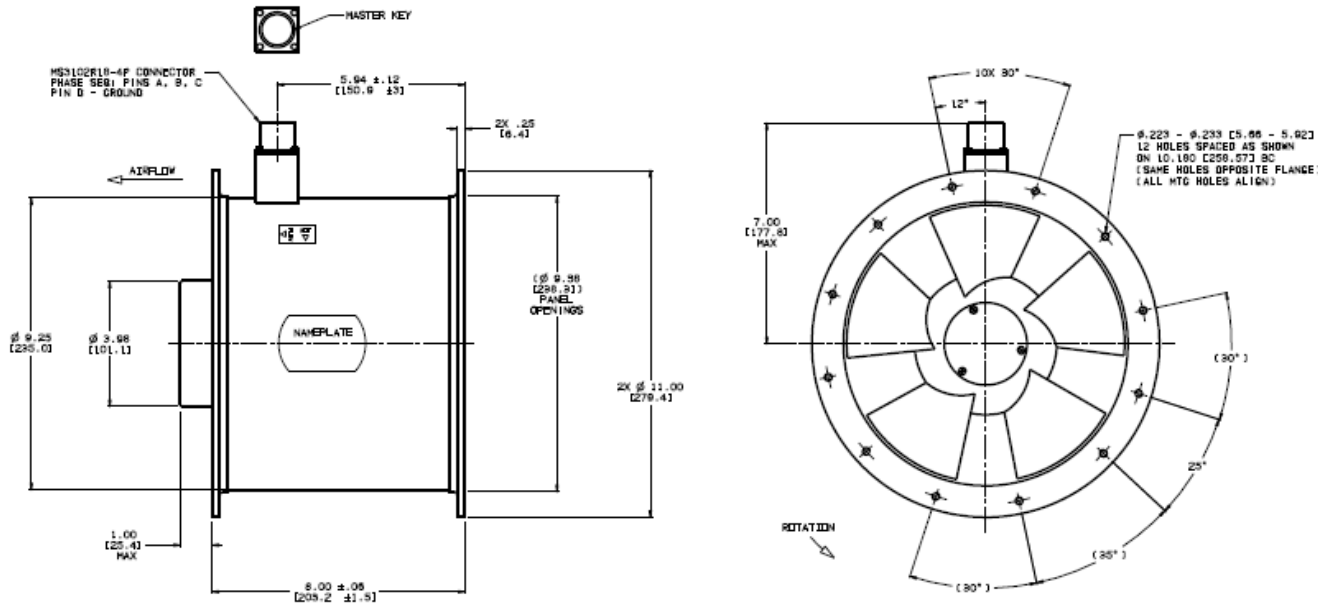


Rotron / Airscrew



MAXIAX 925*

MAX92500AM2CM - 041575000



* Part Number Specific Drawings available upon request



Rotron / Airscrew



MAX92500 3866J7 A771-17

