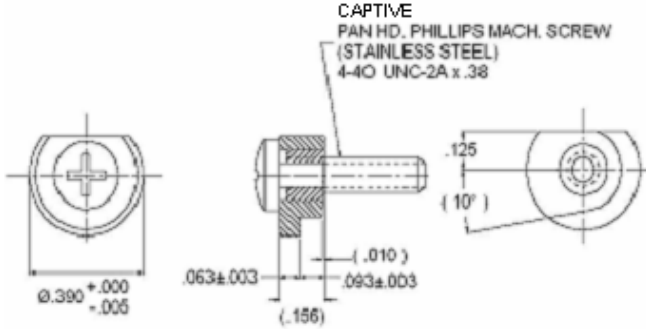


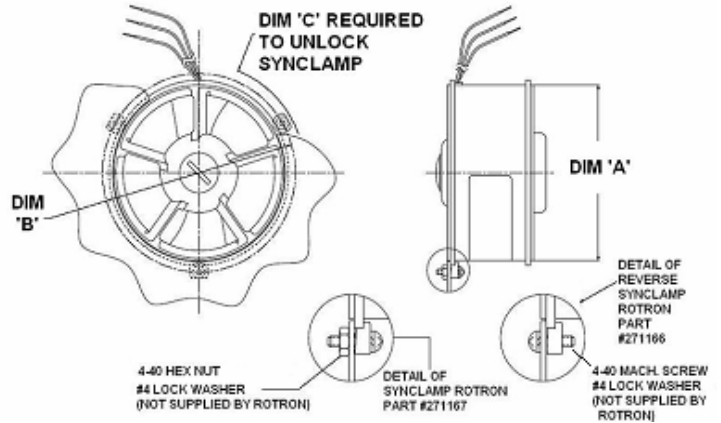


# Mounting Hardware – Synclamps/Panel Clamps

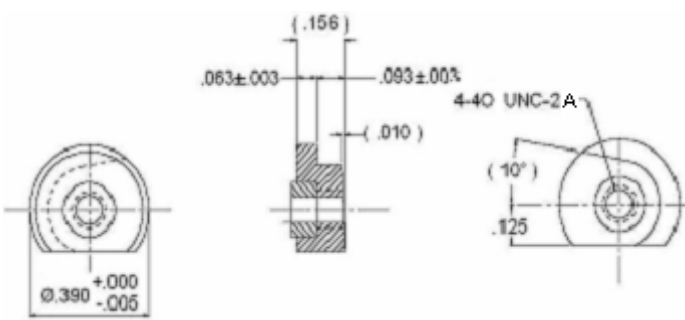
**Fig. 1: Synclamp. Rotron Part No. 271167000**



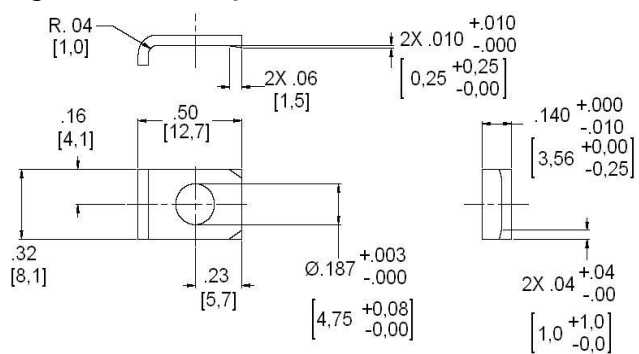
**Fig. 5: Dimension Locations**



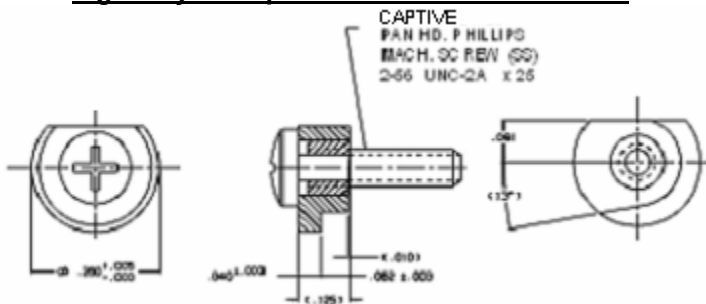
**Fig. 2: Reverse Synclamp. Rotron Part No. 27116600**



**Fig. 3: Panel Clamp. Rotron Part No. 524261000**



**Fig. 4: Synclamp. Rotron Part No. 525869000**



Mounting Hardware Dimensional Data				
Product	Mounting Hardware	Panel Cutout	Mounting Hardware Bolt Circle	Clamp Unlocking Clearance
	Part Num.	Fig. 5 Dim. A	Fig. 5 Dim. B	Fig. 5 Dim. C
PX2 & 1/2PX2	271167000 271166000 524261000	3.078 ± .005	3.531 ± .005	1.97 radius min.
PX3/3B		3.576 ± .005	4.031 ± .005	2.22 radius min.
Saucer		6.888 ± .010	7.324 ± .005	3.875 radius min.
Round Spartan		4.453 ± .005	4.968 ± .005	2.69 radius min.
Nanos	525869000	0.970 ± .010	N / A	
Minimax				
AX1 & 1/2AX1	271167000 271166000 524261000	1.578 ± .005	2.031 ± .005	1.22 radius min.
AX2H & 1/2AX2H		2.015 ± .005	2.456 ± .005	1.426 radius min.
AX3		2.828 ± .005	3.281 ± .005	1.84 radius min.
AX3R		2.453 ± .005	2.906 ± .005	1.66 radius min.
AX4		2.765 ± .005	3.221 ± .005	1.82 radius min.
MAX3.56		3.576 ± .005	4.031 ± .005	2.22 radius min.

Note: All Synclamps are 316 Stainless steel