



AC FAN LSWDs

| Part Number | Unit Description | Output Connection Type (see below) | RPM Set Pt ±200 RPM | Nominal Voltage | Current at Nominal Voltage (mA) | Dwg Figure # | Hookup Diagram | Output Type |
|-------------|----------------------------------|------------------------------------|---------------------|-----------------|---------------------------------|--------------|----------------|-------------|
| 041225000 | DLSWD TR01200B00024 | 1 | 1200 | 24 | 40 | | NONE | SOURCE |
| 034705000 | LSWD TR02400A16-48 | 1 | 2400 | 28 | 30 | II | III | SOURCE |
| 035203000 | LSWD TR02400A00012 W/ TIME DELAY | 1 | 2400 | 12 | 50 | II | NONE | SINK |
| 041028000 | LSWD TR05000A00028 | 1 | 5000 | 28 | 35 | II | * | SINK |
| 035072000 | LSWD TR06400A00028 | 1 | 6400 | 28 | 35 | * | * | SINK |
| 035511000 | LSWD TR07000A00028 | 1 | 7000 | 28 | 63 | II | * | SINK |
| 041179000 | LSWD EX07000A00028 | 3 | 7000 | 28 | 100 | I | * | LED/ RELAY |
| 041420000 | LSWD TR08200A00028 | 1 | 8200 | 28 | 30 | II | III | SOURCE |
| 035808000 | LSWD CX10000A00028 | 3 | 10000 | 28 | 25 | * | * | SINK |
| 041180000 | LSWD EX13800A00028 | 3 | 13800 | 28 | 100 | I | * | LED/ RELAY |
| 041390000 | LSWD CX16000A00028 | 3 | 16000 | 28 | 100 | SPECIAL | * | RELAY |

E.C.D.C. FAN LSWDs

| Part Number | Unit Description | Output Connection Type (see below) | RPM Set Pt ±200 RPM | Nominal Voltage | Current at Nominal Voltage (mA) | Dwg Figure # | Hookup Diagram | Output Type |
|-------------|-------------------------|------------------------------------|---------------------|-----------------|---------------------------------|--------------|----------------|-------------|
| 035499000 | LSWD TR02000D00028 | 1 | 2000 | 28 | 100 | II | * | RELAY |
| 034204000 | LSWD TR02400D16-48 | 1 | 2400 | 28 | 50 | II | IV | SINK |
| 034209000 | LSWD TR02400D00026 SPEC | 1 | 2400 | 26 | 42 | II | IV | SINK |
| 034298000 | LSWD TR02400D16-48 | 1 | 2400 | 28 | 40 | II | NONE | SOURCE |
| 041158000 | DLSWD TR04200C00024 | 1 | 4200 | 24 | 40 | II | IV | RELAY |
| 034368000 | LSWD TR05000D00026 SPEC | 1 | 5000 | 26 | 45 | II | IV | SINK |

Output Connection Types

| |
|--------------------|
| 1 – Terminal Hooks |
| 2 – Lead Wires |
| 3 – Connector |
| 4 – D-sub 9 pin |

Note: For * products, check customer drawing on website for specific connection hookup.



Rotron / Airscrew

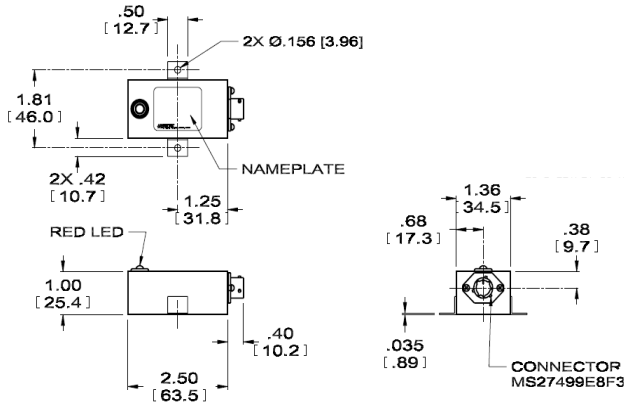


FIGURE I

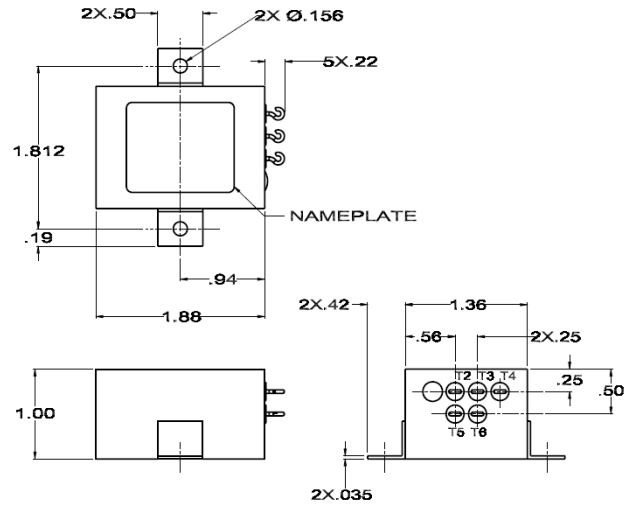


FIGURE II

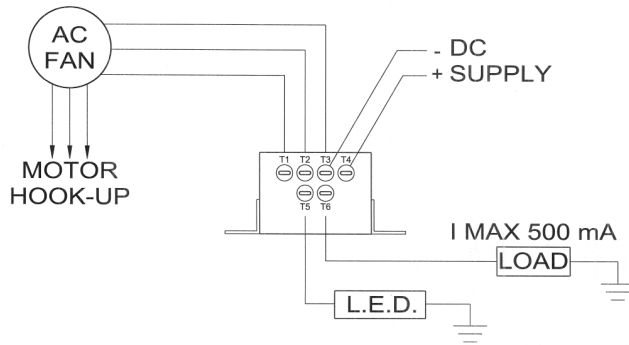


FIGURE III

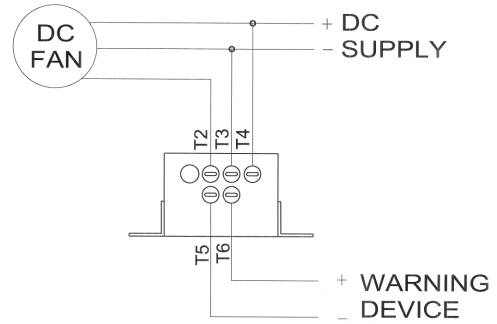


FIGURE IV